



RNG-100DB-P

100W Mono Bendable Solar Panel

Key Features

Sleek design and a durable frame, the Renogy 100 Watt 12 Volt Monocrystalline Panel provides you with the highest efficiency per area and is the perfect item for off-grid applications.

- Top Ranked PTC Rating
- High Module Conversion Efficiency
- Fast and Inexpensive Mounting
- Maximizes System output by reducing mismatch loss
- 100% EL testing on all RENOGY Solar Modules, Guaranteed no Hot Spots

Potential Uses

The Renogy 100 Watt Monocrystalline Panel can be used in various off-grid applications that include 12 and 24 volts arrays, water pumping systems, signal-ing systems and other off-grid applications.



Power Output Warranty



Material and Workmanship Warranty

RNG-100DB-P

100W Mono Bendable Solar Panel

Electrical Data

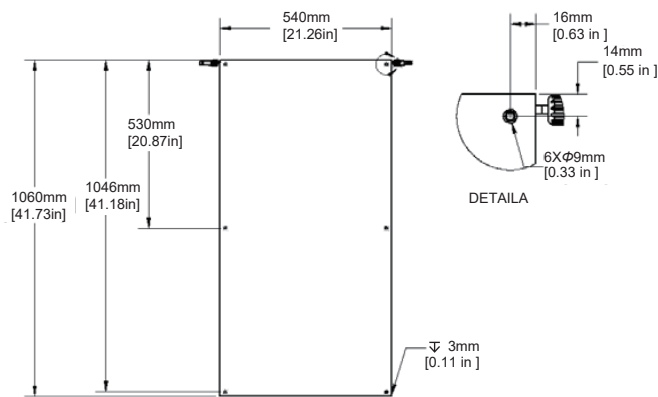
Maximum Power at STC (P_{max})	100 W
Optimum Operating Voltage (V_{mp})	17.7 V
Optimum Operating Current (I_{mp})	5.70 A
Open Circuit Voltage (V_{oc})	21.7 V
Short Circuit Voltage (I_{sc})	6.10 A
Maximum System Voltage	600 VDC
Maximum Series Fuse Rating	10 A

STC: Irradiance 1000W/m², Temperature 25°C, AM =1

Thermal Characteristics

Operating Module Temperature	-40°C to +80°C
Nominal Operating Cell Temperature (NOCT)	47±2°C
Temperature Coefficient of P_{max}	-0.38%/°C
Temperature Coefficient of V_{oc}	-0.28%/°C
Temperature Coefficient of I_{sc}	0.06%/°C

Module Diagram



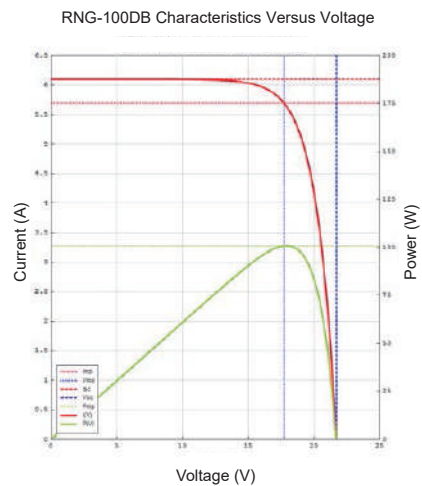
Mechanical Data

Solar Cell Type	Monocrystalline (125 x 125 mm)
Number of Cells	32 (8 x 4mm)
Dimensions	1060 x 540 x 3 mm (41.7 x 21.3 x 0.12 in)
Weight	2 kg. (4.4 lbs.)
Junction Box	IP65 Rated
Output Cables	14 AWG
Connectors	MC4 Connectors
Fire Rating	Class C

Certifications



IV-Curve



All specifications and data described in this data sheet are tested under Standard Test Conditions (STC - Irradiance: 1000W/m², Temperature: 25°C, Air Mass: 1.5) and may deviate marginally from actual values. Renogy and any of its affiliates has reserved the right to make any modifications to the information on this data sheet without notice. It is our goal to supply our customers with the most recent information regarding our products. These data sheets can be found in the downloads section of our website, www.renogy.com